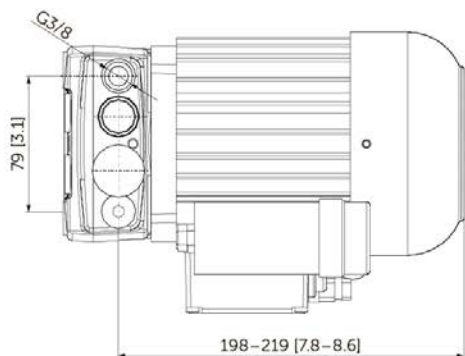
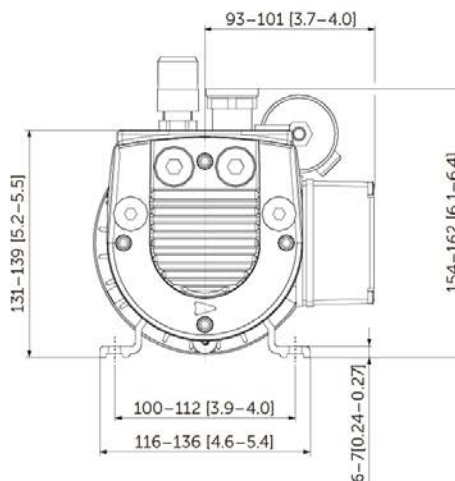
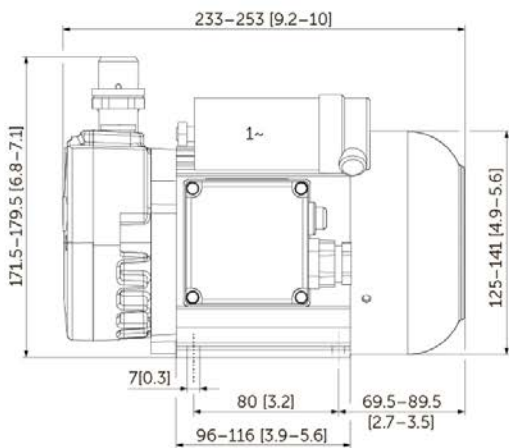




Model: **VT4.8**

## SPECIFICATIONS

Volume flow 50 Hz	8 m <sup>3</sup> /h
Vacuum absolute 50 Hz	150 mbar
Power 50 Hz	0.37 kW
Noise Level 50 Hz	58.0 dB(A)
Volume flow 60 Hz	9.1 m <sup>3</sup> /h
Vacuum absolute 60 Hz	150 mbar
Power 60 Hz	0.44 kW
Noise Level 60 Hz	61.0 dB(A)
Weight	11.5 kg with motor



mm [inch]

**BECKER VT 4.8**